


REGISTERED 
CRN: CSA-OC21140.56
 Registration Process administered by
 CSA Group per CSA B51

Statutory Declaration Registration of Fittings

(a) Design Qualification

I¹ Joel Feldman
Vice President, Engineering
(Position eg, president, plant manager, chief eng.)

Of Swagelok Company
(name of company)

Located at Headquarters: 29500 Solon Road, Solon, Ohio 44139 USA (See Attachment A)
(plant address)

do solemnly declare that the fittings listed hereunder, which are subject to the Boilers & Pressure Vessels Act:

- comply with all the requirements of the ANSI/ASME codes as to their dimensions, material, identification & service for which are required:
- Or
- are not covered by the provisions of the ANSI/ASME codes, and are therefore constructed to comply with _____
 _____ code and standard, and are designed to the best current engineering practice, as shown by the supporting test data.

(b) Quality control of Manufacture

I further declare the manufacture of these fittings is controlled by a quality control program which complies with the requirements of ISO 9001:2015, and has been verified by the following authority or authorized agency BSI

The fittings² covered by this declaration, for which I seek registration, are Category C. Valves


In support of the application, the following information, calculations and/or test data are attached:
ISO 9001:2015 Certificate, Attachment A, Attachment B, Catalog Information and other Support Documents

Declared before me at Solon, Ohio Jamie L. Ristau
Resident Portage County
Notary Public, State of Ohio
 In the of State of Ohio My Commission Expires: 03/08/2019
 The 07th Day of December AD 19 2018
Jamie L. Ristau Signature of Declarer³
A (commissioner for oaths)

For Official Use Only

The application is accepted for registration in Category C in accordance with the Boilers and Pressure Vessels Act and CSA Standard B51.

This registration must be revalidated after ten (10) years from the date of acceptance. Feb - 22 - 2029

Registered Number CRN CSA-OC21140.56 For the Chief Inspector R.W. Barnes
 Date  Mar - 29 - 2019

- 1 **Three completed copies of Statutory Declaration form together with three copies of Catalogs, drawings of Bulletins illustrating above fittings shall be submitted.**
- 2 **All fittings are required to be registered in the name of the Manufacturer.**
- 3 **This form shall be completed and signed by the president of highest official in the manufacturing plant where the fitting is produced.**



Attachment B: Scope of CRN Registration for Swagelok U Series Bellows-Sealed Valves (Category C)

This document represents the scope of Swagelok's U Series Bellows-Sealed Valves covered by this submission for CRN approval. These valves were designed and evaluated in accordance with ASME B31.1:2016 for unlisted components and B31.3:2016 for unlisted components.

Table 1 – Summary Table

Product Description or Series	Main Pressure Bearing Component	Main Pressure Bearing Material (Standard)	Port Connections and Sizes	Maximum Rated Pressure			Design Code of Construction
				At 100°F	Maximum Temperature		
				UG & UW	UG ¹	UW ²	
4U	Body, Bonnet, Bonnet nut	316 SS (ASTM A479)	Tube Fitting 1/4", 6mm Tube Socket Weld 1/4" Butt Weld 3/8"	2500 psig	2500 psig @ 650°F	250 psig @ 1200°F	ASME B31.1 (Unlisted Components) and ASME B31.3 (Unlisted Components)
			Female VCR 1/4"	2500 psig	2500 psig @ 650°F	480 psig @ 1000°F	
6U	Body, Bonnet, Bonnet nut	316 SS (ASTM A479)	Tube Fitting 3/8", 10mm Tube Socket Weld 3/8" Butt Weld 1/2"	2500 psig	2500 psig @ 650°F	250 psig @ 1200°F	
			Female VCR 1/2"	2500 psig	2500 psig @ 650°F	480 psig @ 1000°F	
8U	Body, Bonnet, Bonnet nut	316 SS (ASTM A479)	Tube Fitting 1/2", 12mm Tube Socket Weld 1/2" Butt Weld 3/4"	2500 psig	2500 psig @ 650°F	250 psig @ 1200°F	
			Female VCR 1/2"	2500 psig	2500 psig @ 650°F	480 psig @ 1000°F	
12U	Body, Bonnet, Bonnet nut	316 SS (ASTM A479)	Tube Socket Weld 3/4" Pipe Butt Weld 3/4" Tube Butt Weld 1"	2500 psig	2500 psig @ 650°F	250 psig @ 1200°F	

¹ – U-Series with a gasket bonnet seal

² – U-Series with a welded bonnet seal

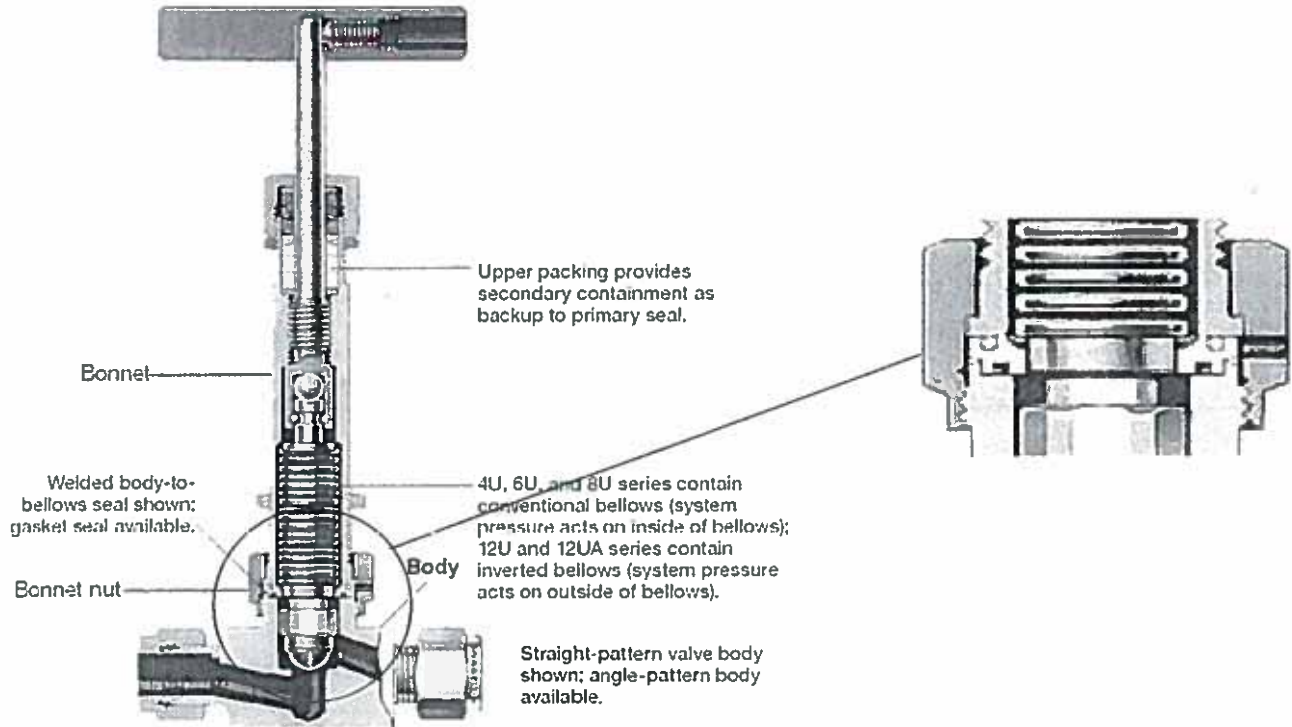
 3 OF 6

ATTACHMENT TO
C.R.N. CSA-0621140.56
Signed: *[Signature]*
 178 Hextale Boulevard Toronto, ON Canada M9W1R3

THIS IS PART OF
 CRN 0621140.5
 Technical Standards & Safety Authority
 Lifting & Pressure Vessels
 7000 Yonge Street, Toronto, ON M2N 6L3

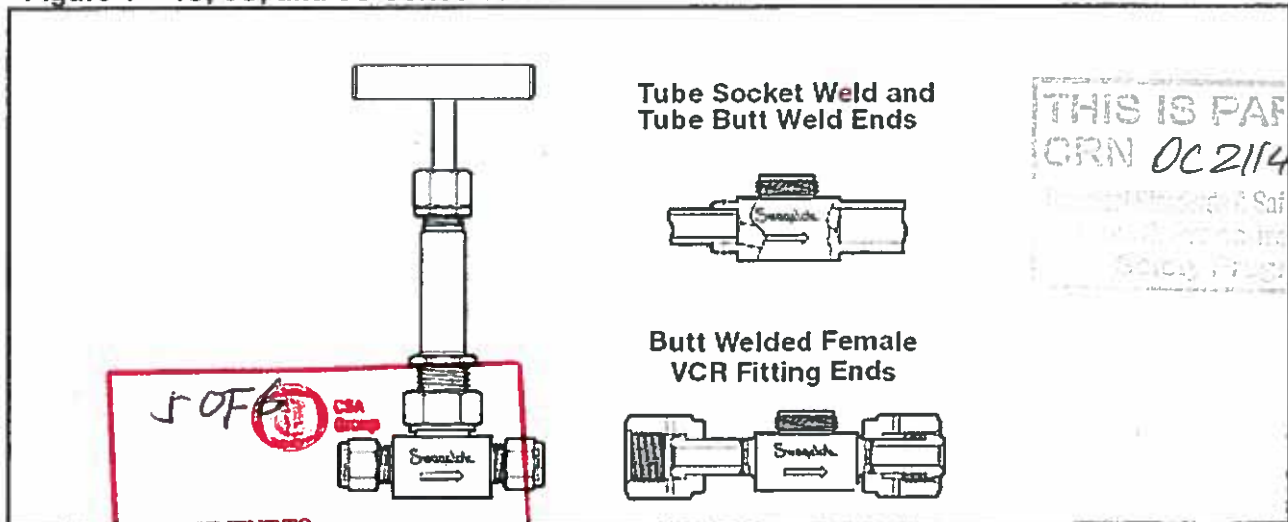
Figure 1 – Pressure Retaining Components (typical 4U, 6U, or 8U hand operated valve)

Although the 12U Series Valve has a different internal design, all U Series Valves have the same configuration for pressure retaining components as shown below. The pressure retaining shell is made up of the body, the bonnet nut, and the bonnet as noted.




Bellows-Sealed, U Series Valve Configurations

Figure 1 – 4U, 6U, and 8U Series Valves



THIS IS PART OF
 CRN 0C21140.5
 Canadian Registration Number Safety Authority
 Pressure Retaining Components and Vessels
 Safety Program

5 OF 6

 ATTACHMENT TO
 C.R.N. CSA-0C21140.56
 Signed: [Signature]
 178 Rexdale Boulevard, Toronto, ON Canada M9W 1R3

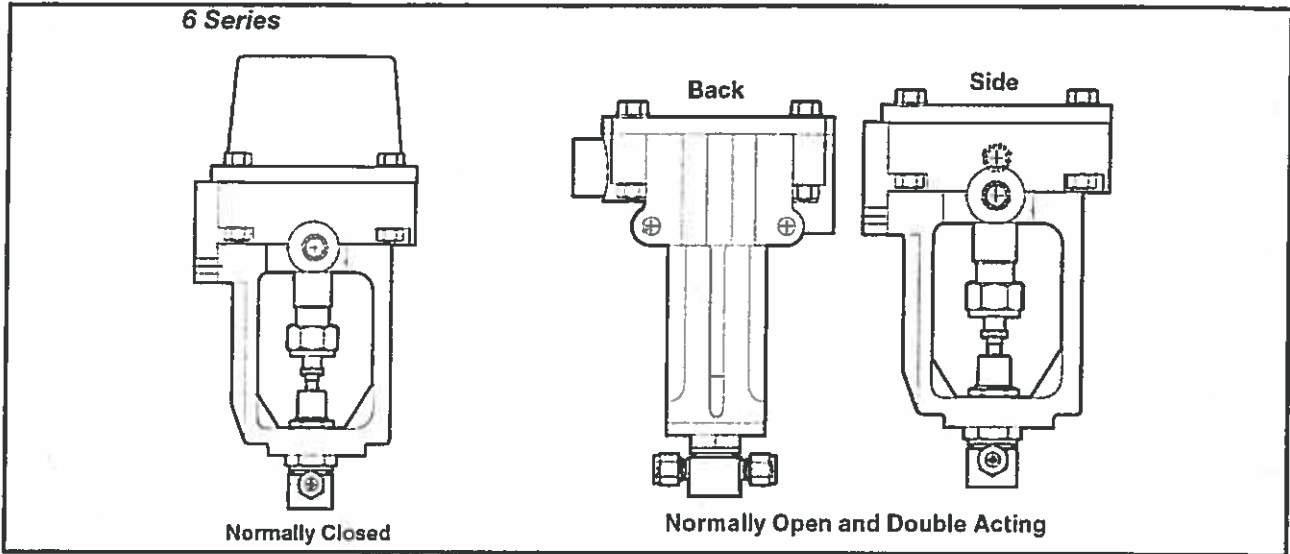
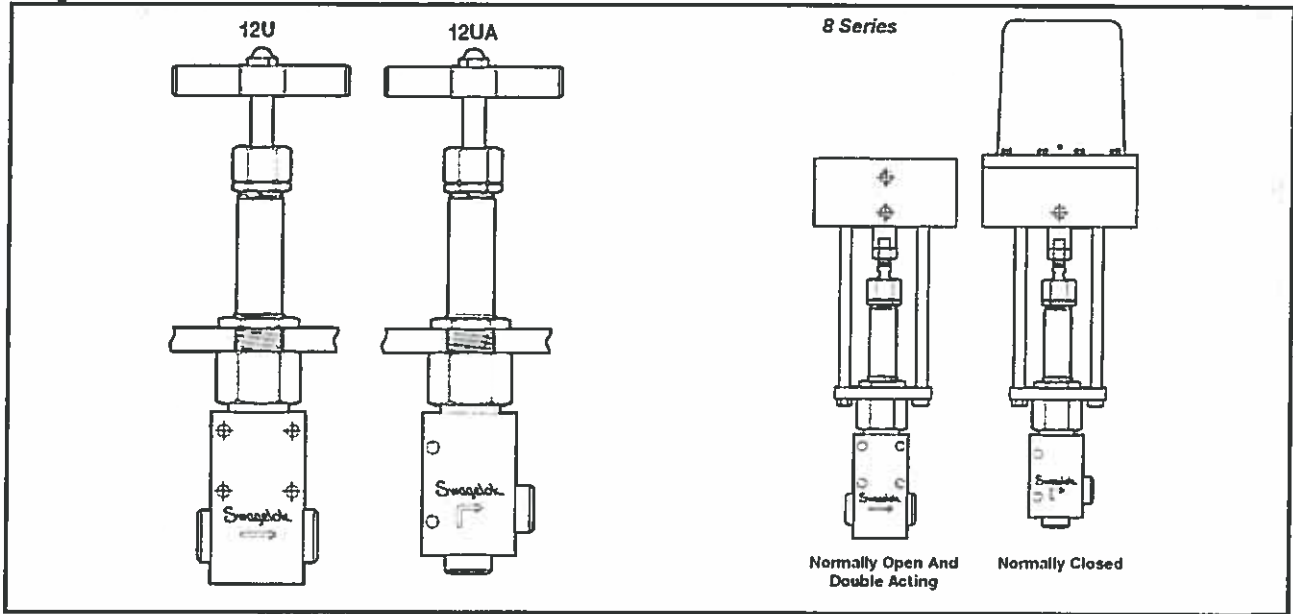



Figure 2 – 12U and 12UA Series Valves



 60FB

THIS IS PART OF
CRN 0C21140.5
Technical Standard Development Authority

ATTACHMENT TO
C.R.N. CSA-0C21140.56


Signed: [Signature]

178 Rexdale Boulevard, Toronto, ON Canada M9W 1R3

Attachment A. Swagelok Manufacturing Locations

This document lists the Swagelok locations where end item or component level manufacturing activities take place.

Swagelok Company 29500 Solon Road Solon, Ohio 44139 USA	Swagelok Company (Falon 1) 348 Bishop Road Highland Heights, Ohio 44143 USA
Swagelok Company (Highland) 318 Bishop Road Highland Heights, Ohio 44143 USA	Swagelok Company (Falon 2) 358 Bishop Road Highland Heights, Ohio 44143 USA
Swagelok Company (OFC) 29495 F.A. Lennon Drive Solon, Ohio 44139 USA	Swagelok Company (HPF) 6050 Cochran Road Solon, Ohio 44139 USA
Swagelok Company (Atlantic) 26651 Curtiss Wright Parkway Willoughby Hills, Ohio 44092 USA	Swagelok Company (Snow Metal) 6060 Cochran Road Solon, Ohio 44139 USA
Swagelok Company (Micro) 26653 Curtiss Wright Parkway Willoughby Hills, Ohio 44092 USA	Swagelok Company (Alfred) 29500 Ambina Drive Solon, Ohio 44139
Swagelok Hose Services Company (SHSC) 29900 Solon Industrial Parkway Solon, Ohio 44139	Swagelok Company (Strongsville) 15400 Foltz Road Strongsville, Ohio 44119
Swagelok (China) Fluid System Technologies Ltd. Changshu Export Process Zone Changshu Economic Development Zone Changshu, Jiangshu 215513 China	Swagelok Limited Ballafletcher Road Tromode IM4 4RA Isle of Man


2076

ATTACHMENT TO

C.R.N. CSA-0C21140.56

Signed: [Signature]

178 Rexdale Boulevard, Toronto, ON Canada M9W1R3

THIS IS PART OF
CRN 0C21140.5
 Technical Standards & Safety Authority
 Boilers & Pressure Vessels
 Safety Program